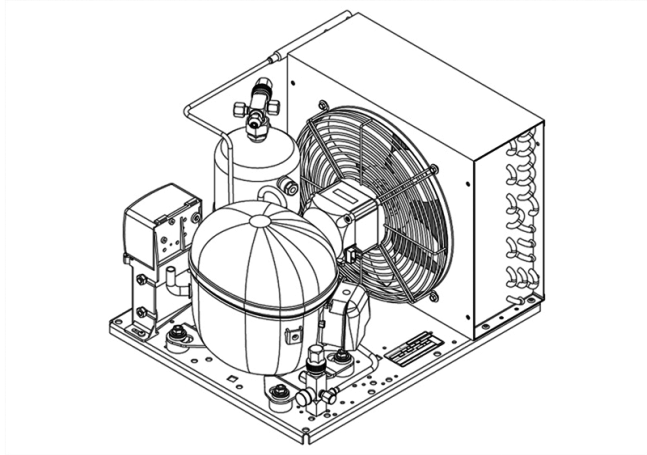


UNT6220GKV



ENGINEERING CODE
602BN5204AA



REFRIGERANT
R-404A



POWER SUPPLY
200-240 V 50 Hz
/ 230 V 60 Hz



APPLICATION
HBP



MOTOR TYPE
CSR



STANDARD
EN13215_RG20



COOLING CAPACITY
1265 W



EFFICIENCY
1.76 W/W

DATA

GENERAL DATA

Model UNT6220GKV

ACCESSORIES

Discharge valve	FLARE 3/8"	2110056
Suction valve	FLARE 1/2"	2110051

CONDENSING COMPONENTS

Compressor	NT6220GKV	M/HBP
Condenser	3R12T	2451140
Refrigerant	R-404A	
Expansion Device	C-V	
Fan Blade Diameter	275	
Fankit	34W 275/31/5B	1996697

MECHANICAL DATA

Air Flow	640 m ³ /h
Height	323 mm
Receiver	2.3 L
Shaft Power	34
Weight	33 Kg
Width	395 mm
Length	471 mm

PERFORMANCE

TESTED CONDITIONS

Tested Refrigerant	R-404A
Tested Application	HBP
Tested Standard	EN13215_RG20

RATED POINTS

Ambient Temperature °C	Evaporating Temperature °C	Cooling Capacity W	Efficiency W/W	Consumo de Potencia W
32	-10	1265	1.76	717

Test Condition: Subcooling 3 K, Return Gas 20 °C.

PERFORMANCE CURVE

Ambient Temperature 25°C

Evaporating Temperature °C	Cooling Capacity W	Efficiency W/W	Consumo de Potencia W
-20	911	1.54	592
-15	1151	1.81	635
-5	1650	2.17	762
0	1909	2.29	832
5	2173	2.42	897
10	2443	2.57	950

Test Condition: Subcooling 3 K, Return Gas 20 °C.

PERFORMANCE CURVE

Ambient Temperature 32°C

Evaporating Temperature °C	Cooling Capacity W	Efficiency W/W	Consumo de Potencia W
-20	834	1.37	609
-15	1045	1.59	655
-5	1493	1.90	787
0	1730	2.02	858
5	1974	2.14	925
10	2226	2.27	979

Test Condition: Subcooling 3 K, Return Gas 20 °C.

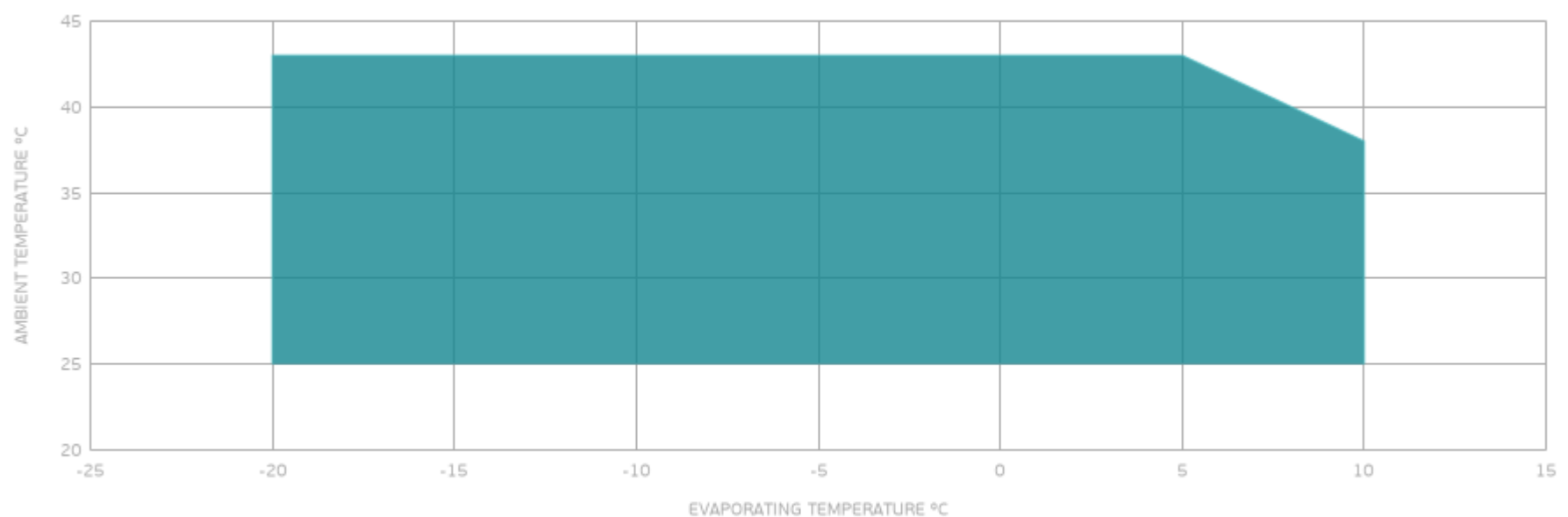
PERFORMANCE CURVE

Ambient Temperature 43°C

Evaporating Temperature °C	Cooling Capacity W	Efficiency W/W	Consumo de Potencia W
-20	653	1.04	626
-15	833	1.23	676
-5	1230	1.52	811
0	1445	1.63	884
5	1672	1.76	951

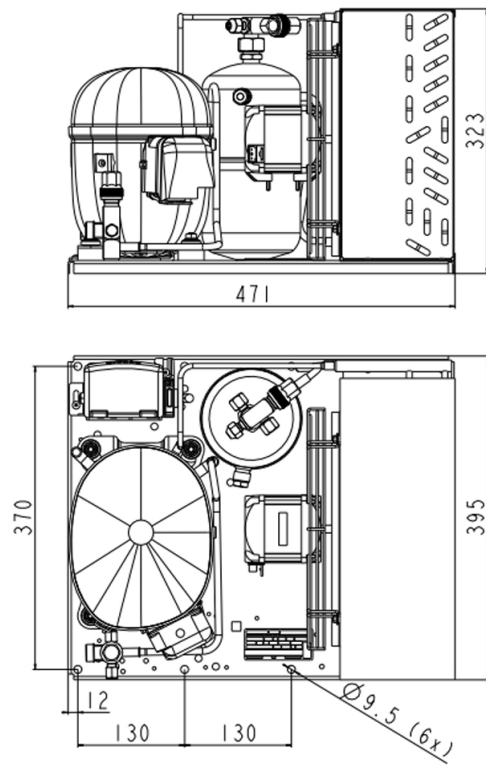
Test Condition: Subcooling 3 K, Return Gas 20 °C.

ENVELOPE



■ OPERATING CONDITION

EXTERNAL DIMENSIONS



WIRING DIAGRAM

