

SC10DL MBP/HBP Compressor R404A/R507 220-240V 50Hz

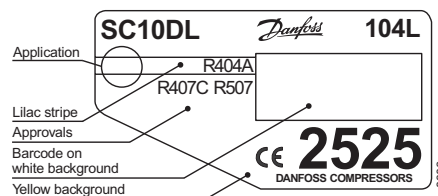
Data Sheet (Replaces CF.54.K2.02)

General

Compressor	SC10DL
Code number	104L2525

Application

Application	MBP/HBP
Evaporating temperature range	°C -20 to 15
Voltage range	V/Hz 198 - 254 /50
Motor type	CSIR
Max. ambient temperature	°C 38
Comp. cooling at ambient temp.	32°C F ₂ 38°C F ₂



- S = Static cooling normally sufficient
- O = Oil cooling
- F₁ = Fan cooling 1.5 m/s
(compressor compartment temperature equal to ambient temperature)
- F₂ = Fan cooling 3.0 m/s necessary

Design

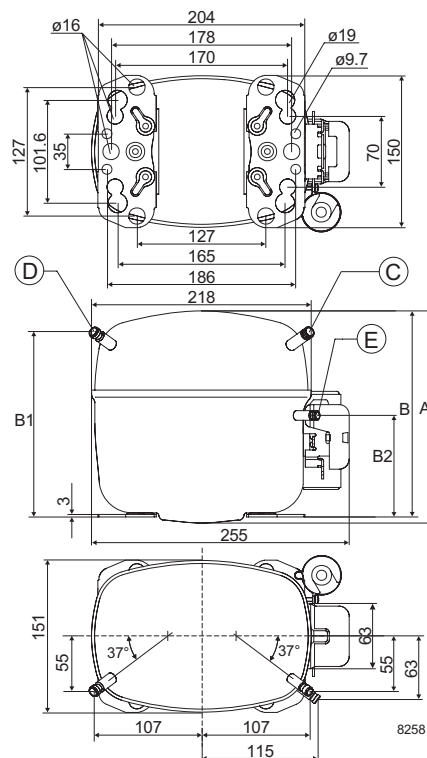
Displacement	cm ³	10.29
Oil quantity	cm ³	600
Maximum refrigerant charge	g	1300
Free gas vol. in compressor	cm ³	1410
Weight without electrical equipment	kg	13.1

Motor

Motor size	watt	385
LRA (rated after 4 sec. UL984) HST	A	14.8
Cut-in current HST	A	14.8
Resistance, main and start winding (25°C)	Ω	5.0/13.7
Approvals		EN 60335-2-34

Dimensions

Height	mm	A	209
		B	203
		B1	183
		B2	100
Suction connector	location/l.D. mm	C	8.2 ±0.09
Process connector	location/l.D. mm	D	6.2 ±0.09
Discharge connector	location/l.D. mm	E	6.2 ±0.09
Compressors on a pallet	pcs.		80



Capacity (EN 12900/CECOMAF)
watt

Comp. °C	-20	-15	-10	-5	0	5	7.2	10	15
SC10DL	471	611	775	968	1192	1450	1576	1747	2085

Capacity (ASHRAE)
watt

Comp. °C	-20	-15	-10	-5	0	5	7.2	10	15
SC10DL	547	710	902	1128	1391	1696	1845	2048	2451

Power consumption
watt

Comp. °C	-20	-15	-10	-5	0	5	7.2	10	15
SC10DL	373	429	479	522	559	590	601	614	631

Current consumption
A

Comp. °C	-20	-15	-10	-5	0	5	7.2	10	15
SC10DL	2.55	2.78	2.97	3.15	3.30	3.42	3.47	3.53	3.61

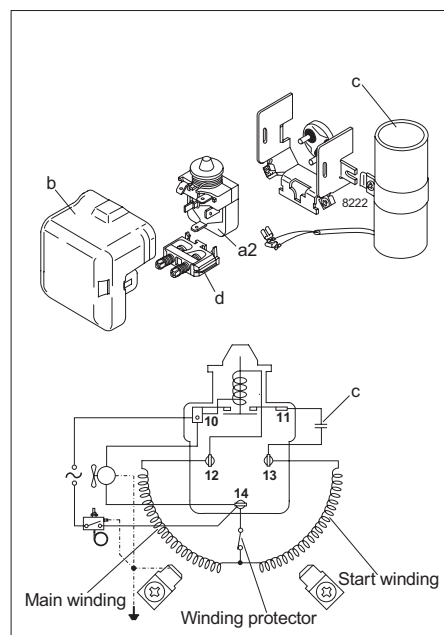
COP (EN 12900/CECOMAF)
W/W

Comp. °C	-20	-15	-10	-5	0	5	7.2	10	15
SC10DL	1.26	1.42	1.62	1.85	2.13	2.46	2.62	2.85	3.30

COP (ASHRAE)
W/W

Comp. °C	-20	-15	-10	-5	0	5	7.2	10	15
SC10DL	1.47	1.66	1.89	2.16	2.49	2.88	3.07	3.34	3.88

Test conditions	EN 12900/CECOMAF	ASHRAE
Condensing temperature	45°C	45°C
Ambient and suction gas temp.	32°C	32°C
Liquid temperature	45°C	32°C
Fan cooling F ₂ , 220V 50Hz		


Accessories

Devices	Fig.	SC10DL
Starting relay	a2	117U6005
Cover	b	103N2009
Starting capacitor 80 µF	c	117U5017
Cord relief	d	103N1004
Mounting accessories		
Bolt joint for one compressor		118-1917
Bolt joint in quantities		118-1918
Snap-on in quantities		118-1919