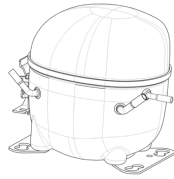


220-240V 50Hz 1~**GENERAL DATA****Application:** LBP**Refrigerant:** R290**Evaporating Temperature Range:** -40°C to -10°C**Compressor Cooling:** Fan**Fan air flow:** 520 m³/h**Maximum Condensing Pressure - Operating:** 18.07 bar**Maximum Condensing Pressure - Peak:** 20.16 bar**Type:** Hermetic reciprocating**Technology Type:** On-Off**Expansion Device:** Capillary Tube or Expansion Valve**Packing Quantity:** Single - 1 pc**Displacement:** 16.8 cm³**Horse power:** 3/4 hpApprovals:   **MECHANICAL DATA****Bore:** 31.19 mm**Stroke:** 22 mm**Oil Charge:** 350ml +/-15ml**Free Internal Volume:** 2.1 cm³**Maximum Recommended Refrigerant Charge:** 350 ml**Oil Type Configuration:** Polyolester**Oil Type Viscosity:** ISO22**Compressor pressurization:** Without dry air charge**Weight:** 12.3 kg**ELECTRICAL DATA****Motor Type:** CSR**Starting Torque:** HST**Voltage working range at 50 Hz:** 198-254 V**Maximum Motor Temperature:** 130 °C**Start Winding Resistance:** 11.7 Ω (± 10%) at 25°C**Run Winding Resistance:** 3.96 Ω (± 10%) at 25°C**MOUNTING ACCESSORIES**

	Description	Code
Terminal Board:	no	-
Anchorage:	no	-
Capacitor Bracket:	no	-
Washer:	no	-
Pin:	no	-
Clip:	no	-
Rotolock valve:	no	-
Grommets:	yes	2221011
Sleeves:	yes	2222018
Overload Protector Bracket:	yes	2075299
Cover:	yes	2075278

ELECTRICAL COMPONENTS

	Component type	Description	Code
Start Capacitor:		53-64 MFD 330V	2252261
Starting Device:	Potential relay	RVA2L3C-112	1253010
Run Capacitor:		10 MFD	2253316
Motor Protection:	External 3/4"	T0660/G9	2321089
CSR / CSIR Box:	yes		1262321

EXTERNAL CHARACTERISTICS**Base Plate:** European**Tray Holder:** No**Height:** 206 mm

	Internal Diameter (mm)	Material	Shape
Suction Connector	8.1	Copper	Slanted 42°
Discharge Connector	6.1	Copper	Straight
Process Connector	6.1	Copper	Slanted 42°



RATED POINT DATA

Cooling Capacity (W)	Power Consumption (W)	Current Consumption (A)	Gas Flow Rate (kg/h)	Efficiency (w/W)
±5%	±5%	±5%	±5%	±7%
215	501	2.53	7.47	0.43

Test condition: ASHRAE, Fan, Return Gas 32.2°C, Evaporating: -23.3°C, Condensing: 54°C, Ambient: 32.2°C, Liquid: 32.2°C

PERFORMANCE CURVE DATA

220V 50Hz

Condensing Temperature (°C)	Evaporating Temperature (°C)	Cooling Capacity (W)	Power Consumption (W)	Current Consumption (A)	Gas Flow Rate (kg/h)	Efficiency (w/W)
		±5%	±5%	±5%	±5%	±7%
35°C	-10	1 423	570	2.83	14.61	2.50
	-15	1 176	523	2.63	12.02	2.25
	-20	957	478	2.43	9.75	2.00
	-25	767	434	2.24	7.78	1.77
	-30	604	391	2.05	6.12	1.55
	-35	470	349	1.87	4.75	1.35
	-40	365	308	1.70	3.68	1.18

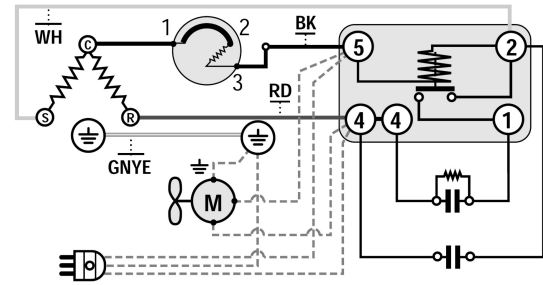
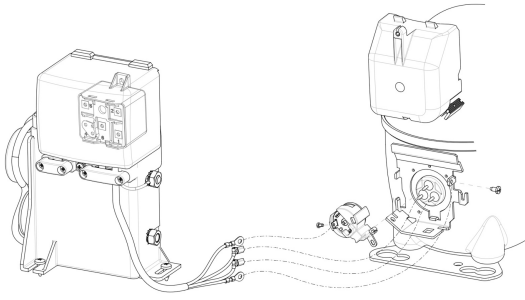
Condensing Temperature (°C)	Evaporating Temperature (°C)	Cooling Capacity (W)	Power Consumption (W)	Current Consumption (A)	Gas Flow Rate (kg/h)	Efficiency (w/W)
		±5%	±5%	±5%	±5%	±7%
45°C	-10	1 347	623	3.10	13.83	2.16
	-15	1 111	565	2.84	11.35	1.97
	-20	902	510	2.59	9.18	1.77
	-25	721	457	2.36	7.31	1.58
	-30	567	408	2.14	5.74	1.39
	-35	440	361	1.94	4.44	1.22

Condensing Temperature (°C)	Evaporating Temperature (°C)	Cooling Capacity (W)	Power Consumption (W)	Current Consumption (A)	Gas Flow Rate (kg/h)	Efficiency (w/W)
		±5%	±5%	±5%	±5%	±7%
55°C	-10	1 274	681	3.34	13.07	1.87
	-15	1 047	610	3.02	10.70	1.72
	-20	848	545	2.72	8.63	1.56
	-25	674	483	2.45	6.84	1.40
	-30	527	427	2.20	5.33	1.24

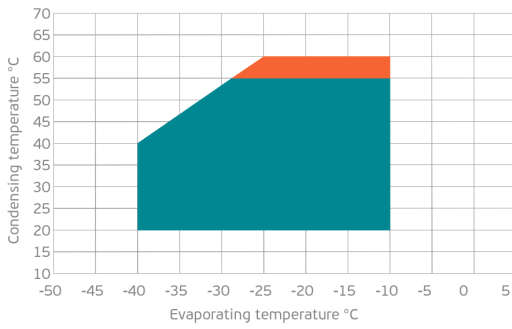
Test condition: ASHRAE, Fan, Return Gas 32.2°C, Evaporating: -23.3°C, Condensing: 54°C, Ambient: 32.2°C, Liquid: 32.2°C

ASSEMBLY INSTRUCTION

WIRING DIAGRAM

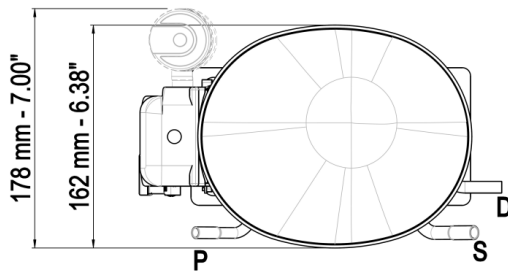
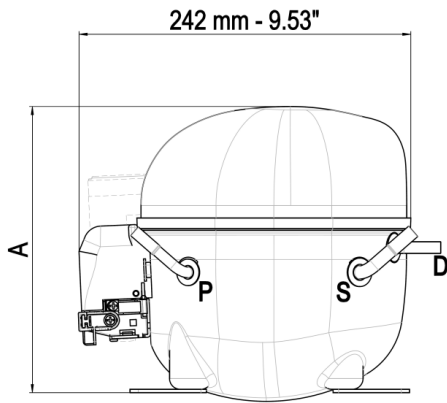


OPERATING ENVELOPE



- Operating Condition
- Transient Condition
- Superheating

NOTE: usage of compressors outside of intended working range cannot make use of the warranty, or should be consulted with Technical support.



DWG02	∅ mm	∅ in	material
S - Suction	6.10 - 6.20	0.24	Cu
P - Process	6.10 - 6.20	0.24	Cu
S - Discharge	4.86 - 5.02	3/16	Cu

DWG03	∅ mm	∅ in	material
S - Suction	8.10 - 8.20	0.32	Cu
P - Process	6.10 - 6.20	0.24	Cu
S - Discharge	6.10 - 6.20	0.24	Cu

