

Technical Data Sheet

Compressor model **MS26T3_T**
 Voltage **400/440V 50/60Hz ~3**
 Refrigerant **R404A**

APPLICATION

COMPRESSOR

MOTOR

Application	High-Medium Back Pressure	Displacement	25,93 cm ³	Nominal Power	1 3/8 hp
Refrigerant	R404A	Diameter	39,98 mm	Voltage/Frequency	400V 50Hz
Evaporating Temp.	-25,0 °C to 10,0 °C	Stroke	20,65 mm	Voltage range	340-440 V
Expansion	Capillar/Valve	Net Weight	18,60 Kg	Type	3PHASE
Comp. Cooling	Fan cooled	Oil type	ISO VG 46 ESTER	Phase number	3 PH
Max. ambient temp.	43,0 °C	Oil charge	887 cm ³	Locked Rotor Amps (LRA)	15,70 A
				Max. Cont. Current (MCC)	4,80 A
				Main W. resist. at 25°C	10,18 Ω
				Start W. resist. at 25°C	14,03 Ω

NOMINAL PERFORMANCE

APPROVALS

	ASHRAE	CECOMAF
Cooling Capacity	3.450 kCal/h	3.166 W
COP	2,45 W/W	1,98 W/W
EER	2,10 kCal/Wh	1,71 kCal/Wh
Input Power	1.640 W	1.597 W
Current	3,05 A	2,99 A



TEST CYCLE CONDITIONS

	ASHRAE HMBP (D)	CECOMAF HMBP (C)
Evaporating temp. (T _e)	7,2 °C	5,0 °C
Condensing temp. (T _c)	55,0 °C	55,0 °C
Liquid temp. (T _{liq.})	46,0 °C	55,0 °C
Ambient temp. (T _{amb.})	35,0 °C	32,0 °C
Suction temp. (T _{suction})	35,0 °C	32,0 °C
Voltage/Frequency	400 V 50 Hz	400 V 50 Hz

ELECTRICAL COMPONENTS

Relay				
Reference				
Voltage				
Resistance				
Protector	Option 1			
Reference	INTERNAL			
Current				
Time check				
Disc temp. (Open/Close)				

ASHRAE

Tc °C	Te °C	Cooling Capacity kCal/h	Consumption W	Current A	COP W/W	EER kCal/Wh
40	-25	1.105	805	2,01	1,60	1,37
40	-20	1.482	908	2,13	1,90	1,63
40	-15	1.914	1.007	2,24	2,21	1,90
40	-10	2.401	1.102	2,35	2,54	2,18
40	-5	2.944	1.192	2,46	2,87	2,47
40	0	3.542	1.277	2,56	3,23	2,77
40	5	4.195	1.358	2,67	3,59	3,09
40	7,2	4.500	1.393	2,71	3,76	3,23
40	10	4.903	1.435	2,77	3,97	3,42

45	-25	960	785	1,99	1,42	1,22
45	-20	1.305	904	2,12	1,68	1,44
45	-15	1.705	1.019	2,25	1,95	1,67
45	-10	2.161	1.130	2,38	2,23	1,91
45	-5	2.672	1.235	2,51	2,52	2,16
45	0	3.238	1.337	2,64	2,82	2,42
45	5	3.859	1.434	2,77	3,13	2,69
45	7,2	4.150	1.475	2,82	3,27	2,81
45	10	4.536	1.526	2,89	3,46	2,97

50	-25	815	765	1,97	1,24	1,07
50	-20	1.128	900	2,12	1,46	1,25
50	-15	1.497	1.031	2,27	1,69	1,45
50	-10	1.920	1.157	2,42	1,93	1,66
50	-5	2.399	1.279	2,57	2,18	1,88
50	0	2.934	1.396	2,72	2,44	2,10
50	5	3.523	1.509	2,87	2,71	2,33
50	7,2	3.800	1.558	2,93	2,84	2,44
50	10	4.168	1.618	3,02	3,00	2,58

55	-25	670	745	1,95	1,05	0,90
55	-20	951	896	2,11	1,23	1,06
55	-15	1.288	1.043	2,28	1,44	1,24
55	-10	1.680	1.185	2,45	1,65	1,42
55	-5	2.127	1.323	2,62	1,87	1,61
55	0	2.630	1.456	2,80	2,10	1,81
55	5	3.187	1.585	2,97	2,34	2,01
55	7,2	3.450	1.640	3,05	2,45	2,10
55	10	3.800	1.709	3,15	2,59	2,22

60	-25	525	725	1,93	0,84	0,72
60	-20	775	892	2,11	1,01	0,87
60	-15	1.079	1.055	2,29	1,19	1,02
60	-10	1.440	1.213	2,48	1,38	1,19
60	-5	1.855	1.366	2,68	1,58	1,36
60	0	2.325	1.516	2,88	1,78	1,53
60	5	2.851	1.660	3,08	2,00	1,72
60	7,2	3.100	1.723	3,17	2,09	1,80
60	10	3.432	1.800	3,28	2,22	1,91

CECOMAF

Tc °C	Te °C	Cooling Capacity W	Consumption W	Current A	COP W/W	EER kCal/Wh
40	-25	1.155	810	2,02	1,43	1,23
40	-20	1.560	914	2,13	1,71	1,48
40	-15	2.018	1.013	2,25	1,99	1,72
40	-10	2.530	1.108	2,36	2,28	1,97
40	-5	3.095	1.199	2,47	2,58	2,23
40	0	3.714	1.286	2,58	2,89	2,49
40	5	4.386	1.368	2,68	3,21	2,77
40	7,2	4.699	1.403	2,73	3,35	2,89
40	10	5.112	1.446	2,78	3,53	3,05

45	-25	994	789	2,00	1,26	1,09
45	-20	1.358	909	2,13	1,49	1,29
45	-15	1.775	1.025	2,26	1,73	1,50
45	-10	2.246	1.136	2,39	1,98	1,71
45	-5	2.770	1.243	2,52	2,23	1,92
45	0	3.348	1.346	2,65	2,49	2,15
45	5	3.979	1.444	2,78	2,76	2,38
45	7,2	4.274	1.486	2,84	2,88	2,48
45	10	4.664	1.538	2,91	3,03	2,62

50	-25	833	769	1,98	1,08	0,94
50	-20	1.155	905	2,12	1,28	1,10
50	-15	1.532	1.037	2,27	1,48	1,28
50	-10	1.962	1.164	2,42	1,68	1,46
50	-5	2.445	1.287	2,58	1,90	1,64
50	0	2.982	1.406	2,73	2,12	1,83
50	5	3.573	1.521	2,88	2,35	2,03
50	7,2	3.850	1.569	2,95	2,45	2,12
50	10	4.217	1.631	3,04	2,59	2,23

55	-25	671	749	1,95	0,90	0,77
55	-20	953	901	2,12	1,06	0,91
55	-15	1.289	1.049	2,29	1,23	1,06
55	-10	1.678	1.192	2,46	1,41	1,22
55	-5	2.120	1.331	2,63	1,59	1,38
55	0	2.617	1.466	2,81	1,78	1,54
55	5	3.166	1.597	2,99	1,98	1,71
55	7,2	3.425	1.653	3,07	2,07	1,79
55	10	3.769	1.723	3,17	2,19	1,89

60	-25	510	729	1,93	0,70	0,60
60	-20	751	897	2,11	0,84	0,72
60	-15	1.046	1.061	2,30	0,99	0,85
60	-10	1.394	1.220	2,49	1,14	0,99
60	-5	1.796	1.375	2,69	1,31	1,13
60	0	2.251	1.526	2,89	1,47	1,27
60	5	2.760	1.673	3,10	1,65	1,43
60	7,2	3.000	1.736	3,19	1,73	1,49
60	10	3.322	1.815	3,30	1,83	1,58

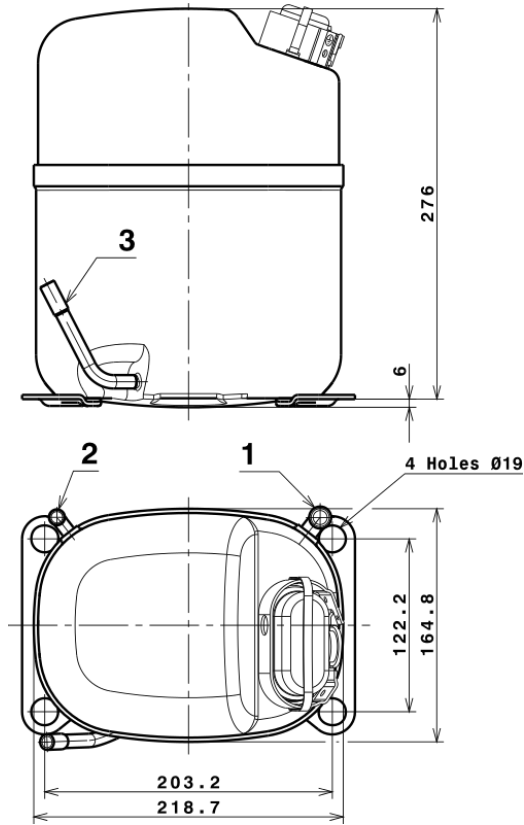
EN12900

X	Cooling Capacity (W)	Consumption (W)	Current (A)	Mass Flow (kg/h)
1	6.632,6422049871	827,8989997348	1,8930527509	79,574655440557
2	194,7566927327	-8,4311599763	-0,0107204637	2,5726547416869
3	-75,4604345434	12,4310492235	0,0177738955	-0,45722426168665
4	1,0129330345	-0,0720347116	0,0000852072	0,028435338303736
5	-1,7387615043	0,6619932733	0,0008862736	-0,003754630492559

Equation	$x_1 + x_2Te + x_3Tc + x_4Te^2 + x_5TeTc$
----------	---

Technical Data Sheet

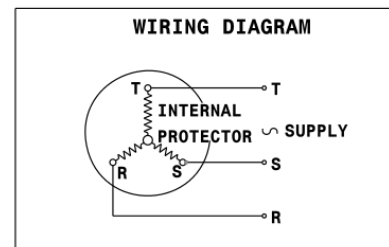
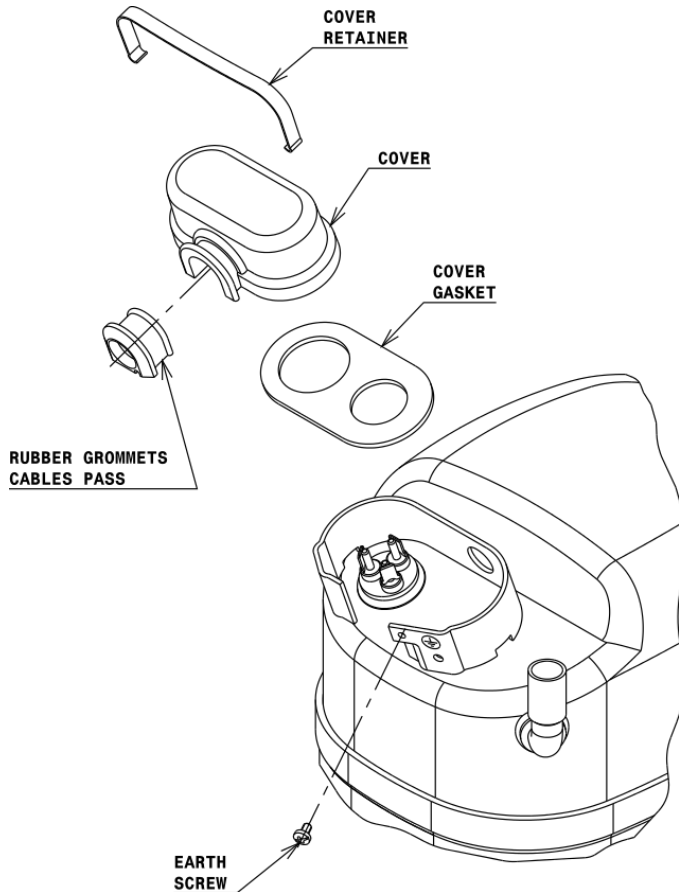
COMPRESSOR DIMENSIONS



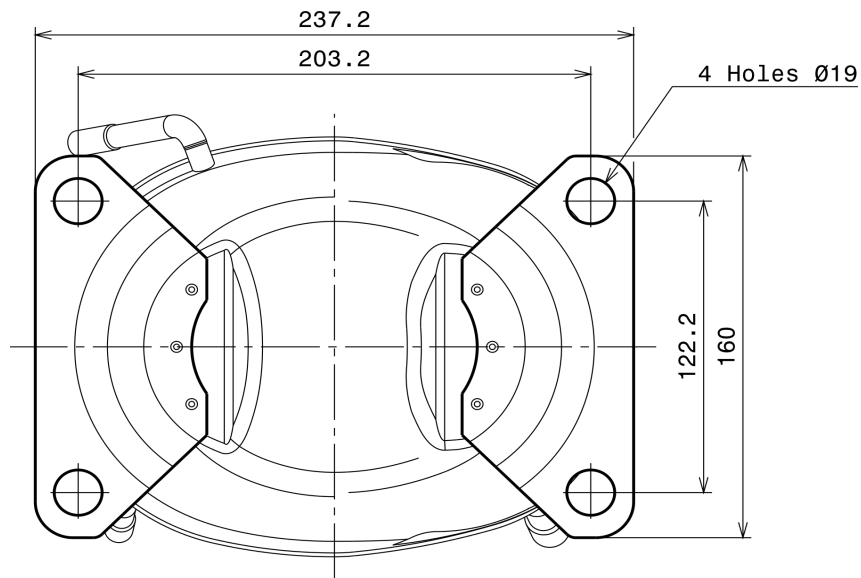
	DESIGNATION	INTERNAL DIAM.
1	Suction	12,7 mm
2	Service	9,7 mm
3	Discharge	8,0 mm

WIRING DIAGRAMS AND ELECTRICAL ASSEMBLY

3PH CONNECTION (S range)



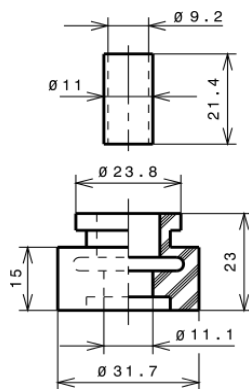
FIXINGS



SILENT BLOCKS (MOUNTING ACCESSORIES)

STANDARD

$\varnothing 19$ holes (203.2x122.2 net)



SOA

SOA R404A HMBP

