

Asiakas  
Päivämäärä 24.8.2021  
Projekti  
Viite  
Tarjousnumero

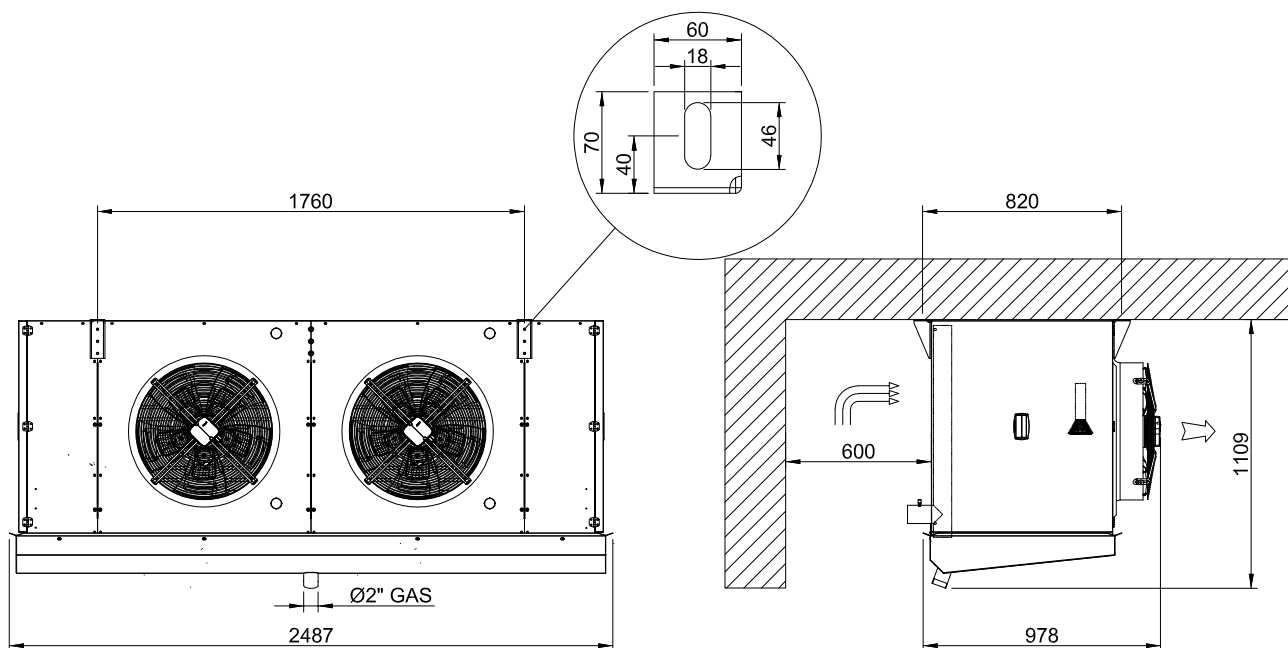


Stefani S.p.A.  
Via del Lavoro, 9  
Castegnero (VI) - ITALY  
Tel. +39 0444 639 999  
Fax. +39 0444 638 240

## HÖYRYSTIN

Malli 1 x GRECALE E 56-2 I 12 E 4D [VE RB ]

Teho	29,7 kW	Kylmäaine	R449A
Ilman sisäänmenolämpötila	-23,0 °C	Höyrystyslämpötila	Dew -30,0 °C
Ilman ulostulolämpötila	-26,8 °C	Tulistus	5 K
Suhteellinen kosteus	88 %	Lauhtumislämpötila	Dew 40,0 °C
Suhteellinen kosteus	100 %	Alijäähdytys	0 K
Q.ty of condensed water	2,5 kg/h		
Korkeus	0 m		
Ilmavirtaus	18750 m <sup>3</sup> /h	kierrosluku	100 %
Puhallusilman heitto	42,3 m	Puhallin nopeus	1320 1/min
Puhaltimien määrä	2	Ääntaso	86 dB(A)
Puhaltimen halkaisija	560 mm	Äänen painetaso ISO 3744	60 dB(A) at 5 m
Jännite	400 V	Ottoteho	2260 W
Taajuus	50 Hz	Nimellisteho	2260 W
Virtalähde	3-vaiheinen	Nimellisvirta (*)	4,4 A
Saatavilla oleva staattinen paine	0 Pa		
Pinta-ala	143,5 m <sup>2</sup>	Putket	Kupari
Sisätilavuus	37,2 dm <sup>3</sup>	Lamellit	Alumiini
Lamelliväli	12,0 mm	Kotelointi	Alumiini / Maalattu galvanoitu teräs
Paino	340 kg	Pituus	2487 mm
Putkiyhde, sisään	1x35 mm	Korkeus	1109 mm
Putkiyhde, ulos	1x64 mm (**)	Leveys	978 mm
		PS	40 bar
Sulatus	Sähkö	2x1,4+16x1,4=25,2 kW	



(\*) Virrankulutus voi vaihdella riippuen ilman lämpötilasta

HUOMAUTUS

(\*\*) Warning: connection velocity besides suggested limits!

MasterUnits 2016 - v. 200408  
21C9963BF0AEF2B440000000087667B2D44

Asiakas  
Puhelin  
Fax  
Sähköposti  
Päivämäärä 24.8.2021  
Projekti  
Viite  
Tarjousnumero



**Stefani S.p.A.**  
Via del Lavoro, 9  
Castegnero (VI) - ITALY  
Tel. +39 0444 639 999  
Fax. +39 0444 638 240

HÖYRYSTIN

---

Malli 1 x GRECALE E 56-2 I 12 E 4D [VE RB ]

**SALES NOTE:**

**In case of order is required the signature for the acceptance and approval of Sales conditions**

**Warranty of resistance to corrosion are excluded if not specified. Materials compatibility to the ambient where the units is installed must be check by customer.**

**Datasheet does not indicate weights and dimensions valid for transport: weights and dimensions are not valid for installation purpose and for all the possible combination of options configuration.**

**As technical agreement, for all of units with horizontal air flow, it is defined right side D connection when air flow direction with reference to front view of the unit is coming out of the paper drawing and connections are on the left side, otherwise it is defined left S if the air flow direction with reference to front view of the unit is entering the paper drawing.**

**Units are equipped with fans compliant to directive ERP 2009-125-EC Electrical motors are equipped with a thermal protection to be wired to an electrical panel and have IP rating, insulation class and working temperature range as per Instruction's manual available in web site stefaniexchanger.com.**

**Units operating with liquid are not full self-draining: antifreeze concentration must be made according minimum reachable temperature in installation site.**

**According to EN13487 Sound pressure level declared is calculated in free field operation above a reflecting surface (Source factor Q=2). According to ISO3744, in case of measurement if difference in the Sound pressure level when unit is on and off is lower than 6dB, the measurement itself is not considered accurate. Sound pressure level tolerance declared is +2dBA.**

**Electric Defrost**

Optimal defrost occurs when defrosting time intervals don't allow fin spacing to be reduced by ice formation more than 25% .Electric defrost consists of special AISI 304 heaters housed internally of specifics holes in the finned coil pack : number is variable depending on type of unit model. As well commercial units have 1 heater in the drain pan while in industrial ones heaters are 2. All heaters have a 230/ single phase nominal power voltage but factory wiring predisposition is for (star connection) 400V/ 3 phase excluded little commercial units . During design /installation it is necessary to check minimum distances from wall to be sure that heaters are replaceable. Terminal box wired is placed in the technical space opposite to the connection side. Special unit at 460V-60Hz must have special heaters please contatc STEFANI SALE OFFICE.

**Drip Tray Insulation**

Standard drain pan is supplied with an external cover with a 15mm insulating sintetic layer. It prevents and avoid the icing of water condensate in the pan during defrost operation in cold rooms working at negative temperature amd formation of f condensate

Asiakas  
Puhelin  
Fax  
Sähköposti  
Päivämäärä 24.8.2021  
Projekti  
Viite  
Tarjousnumero



**Stefani S.p.A.**  
Via del Lavoro, 9  
Castegnero (VI) - ITALY  
Tel. +39 0444 639 999  
Fax. +39 0444 638 240

## HÖYRYSTIN

---

Malli 1 x GRECALE E 56-2 I 12 E 4D [VE RB ]

externally to the pan in th case of cold rooms working at positive temperature due to cold condensate inside . This accessory is reccomended for for a good operation of the units that works at lower temperatures than -10°C.

### **Heating Element For Cowl**

Fan ring heater is a necessary option to avoid possible brine and ice layer in the internal surface that lead to possibile damage of the fan impeller and failure of the motor. Unitary heating capacity for each fan diameter are the following. D250mm-225W D315/350mm-300W D450mm-350W D500mm-450W D560mm 525W D630mm-580W D710mm-680W D800-500W. Nominal power voltage is 230V-1 phase, clamps are wired to a terminal board box. For different power voltage (277V suitable for 460V voltage) or special marking (UL) must be contacted STEFANI SALE OFFICE.