

Our ENCLOSED CONDENSING UNITS have been designed for commercial and industrial applications, from low to high temperature and with a wide range of powers from 7.5CV to 50CV.

This range covers most refrigeration applications, offering a high performance, reliable and flexible product.



ALUMINIUM MICROCHANNEL AND POWDER COATED GALVANIZED STEEL ENCLOSURE

Semi-Hermetic Compressor

- Copeland Stream or Bitzer, including crankcase heater and vibration dampers.

Liquid reservoir, oil separator and interchangeable core filter drier

High and low pressure switches.

Aluminium microchannel condenser coils

- Maxwell's air-cooled condensers only use aluminium microchannel heat exchangers, offering up to 45% performance over fin&tube conventional coils and saving by 30% of refrigerant volume in the system.
- Air section and components section are independent.

Electronic EC Fans as standard

- At Maxwell's we are concerned about energy saving so we have adopted the use of high-efficiency axial ED fans as standard on all our CU-C range.

Condensing pressure variable fan speed controller.

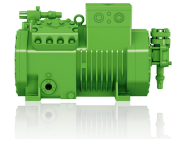
Integrated electrical panel.

The series is particularly adapted for OUTDOOR applications in the field of refrigeration, it is manufactured with recognized brands components characterized by their high quality and present in the distribution market.



REFRIGERATION EQUIPMENT / Enclosed Condensing Units / CU-C Series

Find the Condensing Unit You Need / Bitzer



400 V-III-50 Hz | R134a | HIGH temperature - Semi-hermetic compressor Bitzer

	Model	Compressor		Cooling Capacity (kW)				Axial Condenser		Size	PRICE	Liquid Separator	Electronic Expansion Valve
		Qv (m3/h)	Modelo	Evaporating Temperature				AC Fan (Ø mm)	Max. Airflow				
				5°C	0°C	-5°C	-10 °C						
R134a	CUC.4FES-3Y.B1	18,05	4FES-3Y	10,16	8,07	6,32	4,86	1x Ø 500	9.500	B1	9.306 €	440 €	1.318 €
	CUC.4DES-5Y.B1	26,84	4DES-5Y	15,41	12,31	9,69	7,50	1x Ø 500	9.500	B1	9.954 €	516 €	1.318 €
	CUC.4CES-6Y.B1	32,48	4CES-6Y	18,96	15,19	12,01	9,36	1x Ø 500	9.500	B1	10.241 €	516 €	1.318 €
	CUC.4TES-9Y.B2	41,33	4TES-9Y	24,30	19,44	15,30	11,80	2x Ø 500	19.000	B2	13.717 €	689 €	1.318 €
	CUC.4PES-12Y.B2	48,50	4PES-12Y	27,90	22,10	17,30	13,21	2x Ø 500	19.000	B2	14.102 €	689 €	1.318 €
	CUC.4NES-14Y.B2	56,25	4NES-14Y	32,80	26,20	20,60	15,82	2x Ø 500	19.000	B2	14.713 €	689 €	1.318 €
	CUC.4JE-15Y.B2	63,50	4JE-15Y	37,20	30,00	23,80	18,57	2x Ø 500	19.000	B2	16.100 €	703 €	1.318 €
	CUC.4HE-18Y.B2	73,70	4HE-18Y	43,80	35,40	28,20	22,10	2x Ø 500	19.000	B2	16.154 €	703 €	1.445 €
	CUC.4GE-23Y.2C2-L	84,50	4GE-23Y	49,40	39,80	31,60	24,60	2x Ø 630	24.000	2C2-L	19.345 €	1.426 €	1.445 €
	CUC.4FE-28Y.2C2-L	101,80	4FE-28Y	60,50	48,90	39,10	30,80	2x Ø 630	24.000	2C2-L	19.982 €	1.426 €	1.445 €
	CUC.6HE-28Y.2C2-L	110,50	6HE-28Y	64,80	52,10	41,40	32,30	2x Ø 630	24.000	2C2-L	21.315 €	1.426 €	1.445 €
	CUC.6GE-34Y.2C2-M	126,80	6GE-34Y	74,00	59,70	47,60	37,30	2x Ø 630	31.000	2C2-M	23.589 €	1.426 €	1.445 €
CUC.6FE-44Y.2C2-M	151,60	6FE-44Y	-	72,10	57,60	45,30	2x Ø 630	31.000	2C2-M	25.608 €	1.426 €	1.445 €	

400 V-III-50 Hz | R449A | MEDIUM temperature - Semi-hermetic compressor Bitzer

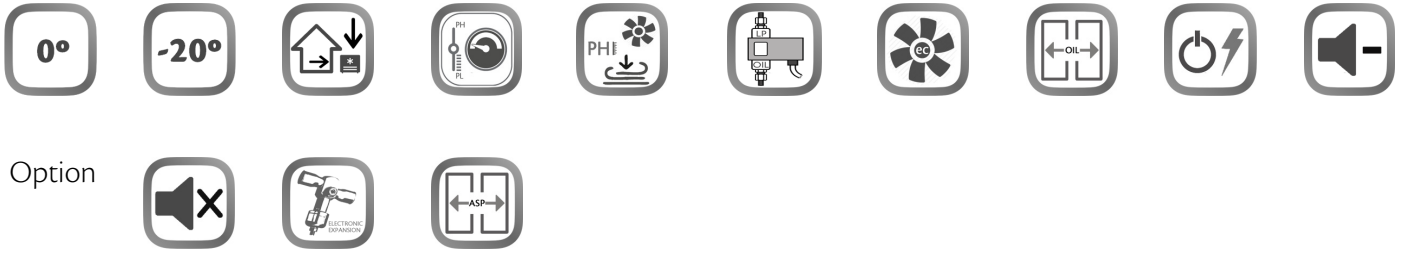
	Model	Compressor		Cooling Capacity (kW)				Axial Condenser		Size	PRICE	Liquid Separator	Electronic Expansion Valve
		Qv (m3/h)	Modelo	Evaporating Temperature				AC Fan (Ø mm)	Max. Airflow				
				5°C	0°C	-5°C	-10 °C						
R449A	CUC.4DES-7Y.B1	26,84	4DES-7Y	18,79	15,01	11,83	9,17	1x Ø 500	9.500	B1	10.108 €	516 €	1.318 €
	CUC.4CES-9Y.B1	32,48	4CES-9Y	23,80	19,12	15,14	11,80	1x Ø 500	9.500	B1	10.370 €	516 €	1.318 €
	CUC.4TES-12Y.B2	41,33	4TES-12Y	30,10	24,00	18,83	14,55	2x Ø 500	19.000	B2	13.959 €	689 €	1.318 €
	CUC.4PES-15Y.B2	48,50	4PES-15Y	34,30	27,20	21,20	16,19	2x Ø 500	19.000	B2	14.342 €	703 €	1.318 €
	CUC.4NES-20Y.B2	56,25	4NES-20Y	41,10	32,70	25,70	19,88	2x Ø 500	19.000	B2	15.328 €	703 €	1.318 €
	CUC.4JE-22Y.2C2-L	63,50	4JE-22Y	45,90	36,70	29,00	22,50	2x Ø 630	24.000	2C2-L	18.279 €	703 €	1.445 €
	CUC.4HE-25Y.2C2-L	73,70	4HE-25Y	53,90	43,40	34,50	26,90	2x Ø 630	24.000	2C2-L	18.913 €	1.426 €	1.445 €
	CUC.4GE-30Y.2C2-L	84,50	4GE-30Y	61,80	49,80	39,60	31,10	2x Ø 630	24.000	2C2-L	19.945 €	1.426 €	1.445 €
	CUC.4FE-35Y.2C2-M	101,80	4FE-35Y	73,80	59,90	48,10	38,00	2x Ø 630	31.000	2C2-M	21.128 €	1.426 €	1.445 €
	CUC.6HE-35Y.2C2-M	110,50	6HE-35Y	79,20	63,80	50,70	39,60	2x Ø 630	31.000	2C2-M	23.589 €	1.426 €	1.445 €
	CUC.6GE-40Y.2D2-H	126,80	6GE-40Y	89,80	72,60	58,00	45,60	2x Ø 630	40.000	2D2-H	28.135 €	1.426 €	1.445 €
	CUC.6FE-50Y.2D2-H	151,60	6FE-50Y	109,30	88,60	70,90	55,80	2x Ø 630	40.000	2D2-H	30.051 €	1.426 €	1.445 €

400 V-III-50 Hz | R449A | LOW temperature - Semi-hermetic compressor Bitzer

	Model	Compressor		Cooling Capacity (kW)				Axial Condenser		Size	PRICE	Liquid Separator	Electronic Expansion Valve
		Qv (m3/h)	Modelo	Evaporating Temperature				AC Fan (Ø mm)	Max. Airflow				
				-20°C	-25°C	-30°C	-35 °C						
R449A	CUC.4DES-5Y.B1	26,84	4DES-5Y	6,97	5,17	3,71	2,55	1x Ø 500	9.500	B1	9.954 €	516 €	1.318 €
	CUC.4CES-6Y.B1	32,48	4CES-6Y	9,04	6,77	4,93	3,46	1x Ø 500	9.500	B1	10.241 €	516 €	1.318 €
	CUC.4TES-9Y.B1	41,33	4TES-9Y	11,06	8,16	5,83	3,54	1x Ø 500	9.500	B1	11.980 €	689 €	1.318 €
	CUC.4PES-12Y.B1	48,50	4PES-12Y	12,19	8,84	6,16	3,76	1x Ø 500	9.500	B1	12.388 €	689 €	1.318 €
	CUC.4NES-14Y.B1	56,25	4NES-14Y	14,99	11,04	7,87	4,81	1x Ø 500	9.500	B1	12.999 €	689 €	1.318 €
	CUC.4JE-15Y.B2	63,50	4JE-15Y	17,92	13,36	9,61	5,89	2x Ø 500	19.000	B2	16.100 €	703 €	1.318 €
	CUC.4HE-18Y.B2	73,70	4HE-18Y	21,30	16,04	11,72	7,18	2x Ø 500	19.000	B2	16.154 €	703 €	1.318 €
	CUC.4GE-23Y.B2	84,50	4GE-23Y	25,10	19,08	14,15	8,67	2x Ø 500	19.000	B2	17.523 €	1.426 €	1.318 €
	CUC.4FE-28Y.B2	101,80	4FE-28Y	30,00	22,90	16,89	10,35	2x Ø 500	19.000	B2	18.160 €	1.426 €	1.318 €
	CUC.6HE-28Y.2C2-L	110,50	6HE-28Y	31,40	23,60	17,26	14,57	2x Ø 630	24.000	2C2-L	21.315 €	1.426 €	1.318 €
	CUC.6GE-34Y.2C2-L	126,80	6GE-34Y	37,90	29,00	21,70	13,31	2x Ø 630	24.000	2C2-L	22.815 €	1.426 €	1.318 €
	CUC.6FE-44Y.2C2-L	151,60	6FE-44Y	45,10	34,30	25,30	15,52	2x Ø 630	24.000	2C2-L	24.834 €	1.426 €	1.318 €

Conditions according to UNE-EN 13215: Ambient temperature 32 °C, evaporation temperature of -10 °C (MT) and -30 °C (LT), superheat 10 K and subcooling 3K.

REFRIGERATION EQUIPMENT / Enclosed Condensing Units / CU-C Series



Find the Condensing Unit You Need / Copeland



400 V-III-50 Hz | R134a | HIGH temperature - Semi-hermetic compressor Copeland

	Model	Compressor		Cooling Capacity (kW)				Axial Condenser			Size	PRICE	Liquid Separator	Electronic Expansion Valve
		Qv (m3/h)	Modelo	Evaporating Temperature				AC Fan (Ø mm)	Max. Airflow					
				5°C	0°C	-5°C	-10 °C							
R134a	CUC.4MF-13X.B2	61,70	4MF-13X	35,80	28,80	22,70	17,65	2x Ø 500	19.000	B2	14.565 €	703 €	1.318 €	
	CUC.4ML-15X.B2	71,40	4ML-15X	42,70	34,50	27,50	21,50	2x Ø 500	19.000	B2	14.813 €	703 €	1.445 €	
	CUC.4MM-20X.B2	78,20	4MM-20X	46,70	37,80	30,20	23,80	2x Ø 500	19.000	B2	15.742 €	1.426 €	1.445 €	
	CUC.4MT-22X.2C2-L	87,70	4MT-22X	53,10	42,90	34,40	27,20	2x Ø 630	24.000	2C2-L	18.105 €	1.426 €	1.445 €	
	CUC.4MU-25X.2C2-L	99,40	4MU-25X	59,40	48,00	38,20	29,90	2x Ø 630	24.000	2C2-L	19.047 €	1.426 €	1.445 €	
	CUC.6MM-30X.2C2-M	120,50	6MM-30X	70,80	57,20	45,70	36,00	2x Ø 630	31.000	2C2-M	21.534 €	1.426 €	1.445 €	
	CUC.6MT-35X.2C2-M	135,10	6MT-35X	79,00	64,10	51,40	40,60	2x Ø 630	31.000	2C2-M	22.538 €	1.426 €	1.445 €	

Conditions according to UNE-EN 13215: Ambient temperature 32 °C, evaporation temperature of -10 °C (MT) and -30 °C (LT), superheat 10 K and subcooling 3K.

400 V-III-50 Hz | R449A | MEDIUM temperature - Semi-hermetic compressor Copeland

	Model	Compressor		Cooling Capacity (kW)				Axial Condenser			Size	PRICE	Liquid Separator	Electronic Expansion Valve
		Qv (m3/h)	Modelo	Evaporating Temperature				AC Fan (Ø mm)	Max. Airflow					
				0°C	-5°C	-10°C	-15 °C							
R449A	CUC.4MA-22X.2C2-L	61,70	4MA-22X	48,30	38,80	30,80	24,00	2x Ø 630	24.000	2C2-L	16.907 €	703 €	1.445 €	
	CUC.4MH-25X.2C2-L	71,40	4MH-25X	53,80	43,70	35,10	27,80	2x Ø 630	24.000	2C2-L	18.098 €	1.426 €	1.445 €	
	CUC.4MI-30X.2C2-L	78,20	4MI-30X	60,50	49,40	39,80	31,60	2x Ø 630	24.000	2C2-L	18.543 €	1.426 €	1.445 €	
	CUC.4MJ-33X.2C2-M	87,70	4MJ-33X	66,90	54,40	43,70	34,60	2x Ø 630	31.000	2C2-M	20.080 €	1.426 €	1.445 €	
	CUC.4MK-35X.2C2-M	99,40	4MK-35X	75,40	61,20	49,10	38,80	2x Ø 630	31.000	2C2-M	20.729 €	1.426 €	1.445 €	
	CUC.6MI-40X.2D2-H	120,50	6MI-40X	90,60	74,20	60,00	47,90	2x Ø 630	40.000	2D2-H	26.361 €	1.426 €	1.445 €	
	CUC.6MJ-45X.2D2-H	135,10	6MJ-45X	100,50	82,50	66,90	53,60	2x Ø 630	40.000	2D2-H	26.917 €	1.426 €	1.445 €	
	CUC.6MK-50X.2D2-H	153,20	6MK-50X	112,50	91,80	74,10	59,00	2x Ø 630	40.000	2D2-H	28.157 €	1.592 €	1.445 €	

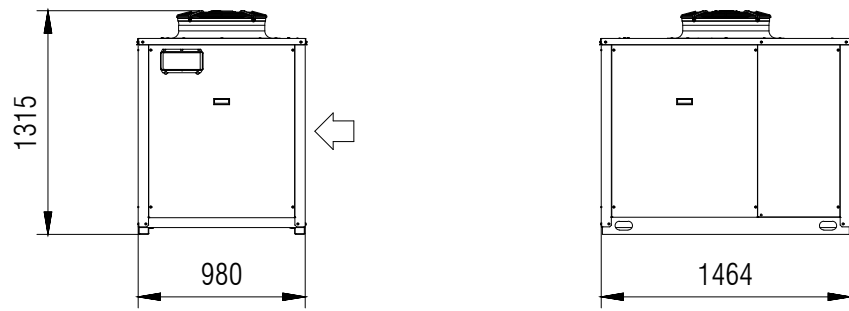
Conditions according to UNE-EN 13215: Ambient temperature 32 °C, evaporation temperature of -10 °C (MT) and -30 °C (LT), superheat 10 K and subcooling 3K.

400 V-III-50 Hz | R449A | LOW temperature - Semi-hermetic compressor Copeland

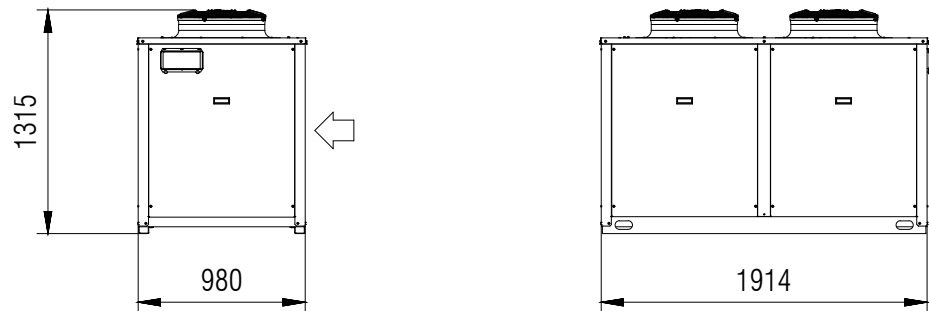
	Model	Compressor		Cooling Capacity (kW)				Axial Condenser			Size	PRICE	Liquid Separator	Electronic Expansion Valve
		Qv (m3/h)	Modelo	Evaporating Temperature				AC Fan (Ø mm)	Max. Airflow					
				-20°C	-25°C	-30°C	-35 °C							
R449A	CUC.4MF-13X.B2	61,70	4MF-13X	16,95	13,10	9,94	7,31	2x Ø 500	19.000	B2	14.565 €	703 €	1.318 €	
	CUC.4ML-15X.B2	71,40	4ML-15X	22,10	17,10	12,80	9,13	2x Ø 500	19.000	B2	14.813 €	703 €	1.318 €	
	CUC.4MM-20X.B2	78,20	4MM-20X	24,40	18,95	14,30	10,35	2x Ø 500	19.000	B2	15.742 €	1.426 €	1.318 €	
	CUC.4MT-22X.B2	87,70	4MT-22X	27,70	21,60	16,35	11,90	2x Ø 500	19.000	B2	16.283 €	1.426 €	1.318 €	
	CUC.4MU-25X.B2	99,40	4MU-25X	30,00	23,20	17,45	12,65	2x Ø 500	19.000	B2	17.225 €	1.426 €	1.318 €	
	CUC.6MM-30X.2C2-L	120,50	6MM-30X	36,60	28,40	21,30	15,00	2x Ø 630	24.000	2C2-L	20.760 €	1.426 €	1.318 €	
	CUC.6MT-35X.2C2-L	135,10	6MT-35X	40,70	31,70	23,80	16,90	2x Ø 630	24.000	2C2-L	21.764 €	1.426 €	1.318 €	
	CUC.6MU-40X.2C2-L	153,20	6MU-40X	47,00	36,30	27,10	19,15	2x Ø 630	24.000	2C2-L	22.462 €	1.592 €	1.318 €	

Conditions according to UNE-EN 13215: Ambient temperature 32 °C, evaporation temperature of -10 °C (MT) and -30 °C (LT), superheat 10 K and subcooling 3K.

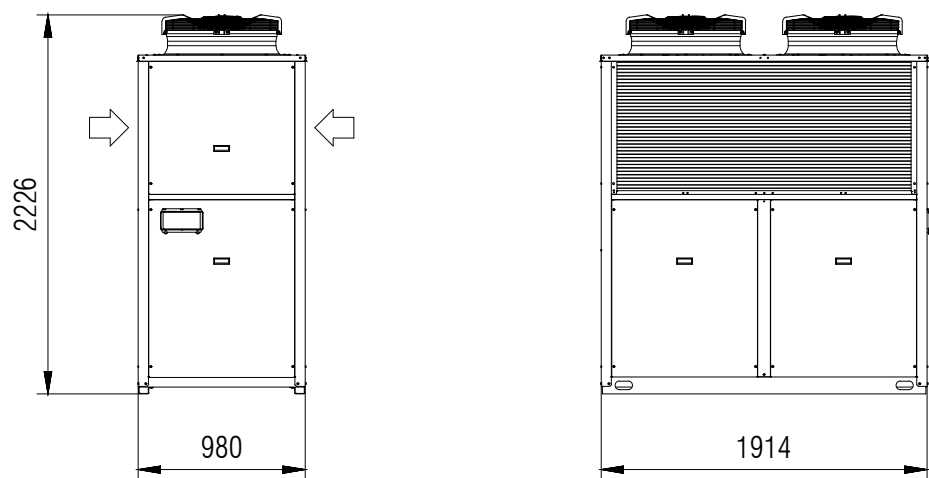
CUC B1



CUC B2



CUC 2C2



CUC 2D2

