



Compressor
Voltage Code : FZ

AJ4517P-FZ

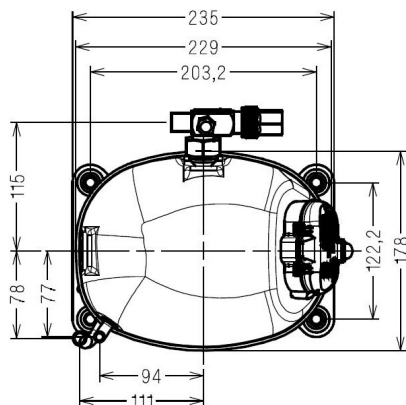
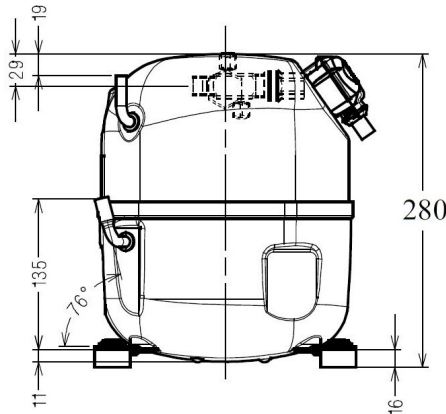
High Temp. Commercial (HP)

220 - 240V 1~ 50 Hz

R455A / R454C

AJ4517P-FZ3A

Conditions	Frequency	Nominal Cooling Capacity		Sound Power ISO3745 / ISO 3743-1
		Watts	BTU/h	
EN12900 / R455A	50 Hz	3140	10708	64 dBA
EN12900 / R454C	50 Hz	2925	9974	64 dBA



* EN12900 : T°Cond. 50.0°C / T°Evap. 5.0°C / T°Return gas temp.. 20.0°C
T°Subcooling. 0.0K

Certificates :



Displacement (cc)	25,95
Net Weight (Kg)	22.1
Oil Quantity (cc)	475.0
Oil Type	Polyolester
Expansion Device	Capillary_Tube/Expansion_Valve
Cooling	Fan
Main Winding (Ohm)	2.0
Start Winding (Ohm)	7.6
Current	
RLA (A)	6.4
MCC (A)	11.1
LRA (A)	42.2
Electrical Equipment	CSR
Overload	MST16AHW
Time Check	2.8s - 5.2s / 32.5 A
Open Temp	135° C
Close Temp	61° C
Start Capacitor	88 µF / 330 V
Run Capacitor	17.5 µF / 400 V
Potential Relay	RVA6M**
Pick Up	239/268V
Drop Out	60/135V
Refrigerating connection for	
Suction Tube	15.9 (5/8")
Discharge Tube	9.5 (3/8")
Process Tube	6.35 (1/4")

Note : Tecumseh reserves the right to change information contained in this document without notification.





Tecumseh

AJ4517P-FZ	Tension FZ : 220 - 240V 1~ 50 Hz
-------------------	---

Les performances sont données dans les **conditions EN12900** :
 Condition Dew
 The performance data are in **EN12900 conditions** :
 Dew Condition

Gaz aspirés : 20.0 °C
 Sous refroidissement : 0.0 K
 Return gas : 20.0 °C
 Subcooling : 0.0 K

50 Hz R455A											
 N°3280											
4 T condensation	5 T évaporation	(°C)	-25	-20	-15	-10	-5	0	5	10	15
30	1 P frigorifique	(Watt)		1347	1791	2314	2926	3639	4463	5410	6492
	2 P absorbée	(W)		710	774	831	880	921	953	977	992
	3 I absorbée	(A)		3.65	3.92	4.17	4.39	4.58	4.73	4.85	4.93
40	1 P frigorifique	(Watt)			1466	1928	2464	3085	3804	4631	5577
	2 P absorbée	(W)			833	913	987	1052	1111	1161	1203
	3 I absorbée	(A)			4.18	4.53	4.85	5.14	5.40	5.62	5.80
50	1 P frigorifique	(Watt)				1543	2001	2529	3140	3844	4653
	2 P absorbée	(W)				976	1076	1170	1257	1336	1408
	3 I absorbée	(A)				4.81	5.27	5.69	6.08	6.44	6.75
60	1 P frigorifique	(Watt)					1557	1990	2491	3070	3739
	2 P absorbée	(W)					1147	1272	1389	1501	1605
	3 I absorbée	(A)					5.53	6.13	6.69	7.21	7.70

50 Hz R454C											
 N°3281											
4 T condensation	5 T évaporation	(°C)	-25	-20	-15	-10	-5	0	5	10	15
30	1 P frigorifique	(Watt)		1263	1667	2139	2689	3327	4064	4908	5870
	2 P absorbée	(W)		676	735	789	838	880	918	950	977
	3 I absorbée	(A)		3.48	3.74	3.97	4.18	4.37	4.53	4.67	4.79
40	1 P frigorifique	(Watt)			1383	1807	2296	2860	3510	4256	5106
	2 P absorbée	(W)			794	867	933	994	1048	1096	1138
	3 I absorbée	(A)			3.99	4.30	4.59	4.86	5.11	5.32	5.51
50	1 P frigorifique	(Watt)				1457	1880	2366	2925	3566	4300
	2 P absorbée	(W)				925	1017	1102	1180	1251	1316
	3 I absorbée	(A)				4.56	4.96	5.35	5.70	6.03	6.33
60	1 P frigorifique	(Watt)					1462	1865	2327	2859	3471
	2 P absorbée	(W)					1078	1195	1304	1405	1499
	3 I absorbée	(A)					5.23	5.76	6.26	6.73	7.17

1 = cooling capacity 2 = power input 3 = current 4 = condensing temperature 5 = evaporating temperature

Nota : Tecumseh se réserve le droit de modifier les informations contenues dans ce document sans préavis.
Note : Tecumseh reserves the right to change information contained in this document without notification.

© 2022 Tecumseh Products Company
All rights reserved